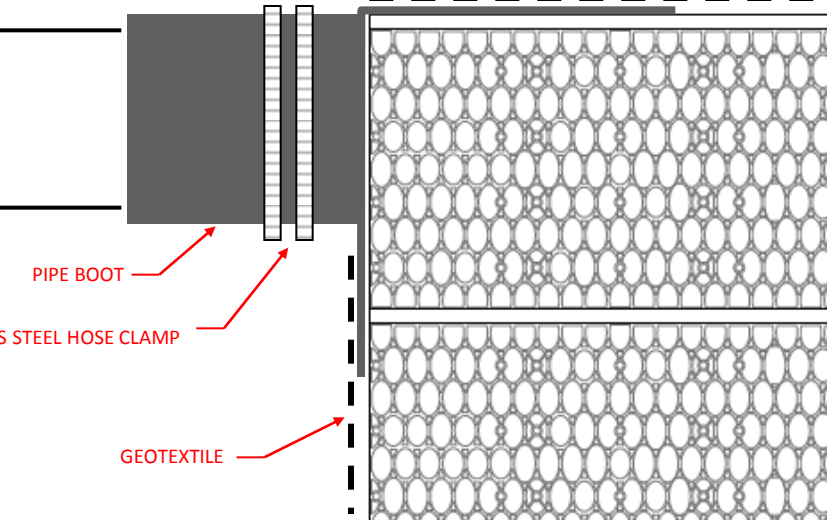


**PIPE CONNECTION**

**INLET**

8 OZ NONWOVEN GEOTEXTILE  
OVERLAPS PIPE BOOT 12"



PIPE BOOT

STAINLESS STEEL HOSE CLAMP

GEOTEXTILE

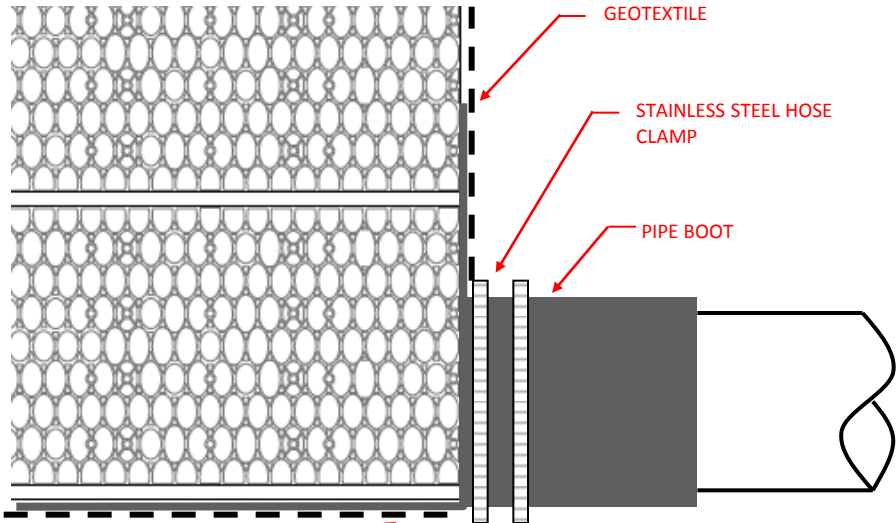
**OUTLET**

GEOTEXTILE

STAINLESS STEEL HOSE CLAMP

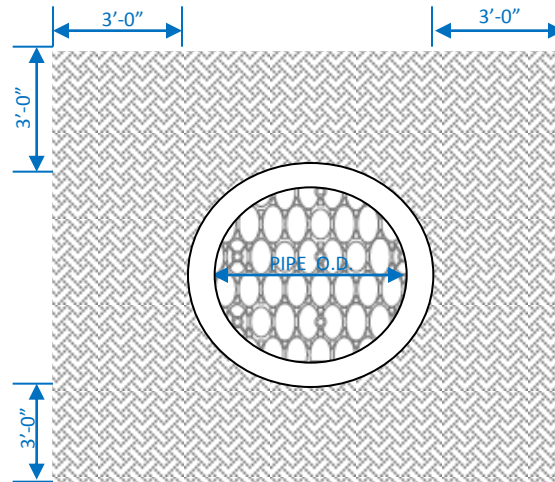
PIPE BOOT

8 OZ NONWOVEN GEOTEXTILE  
OVERLAPS PIPE BOOT 12"

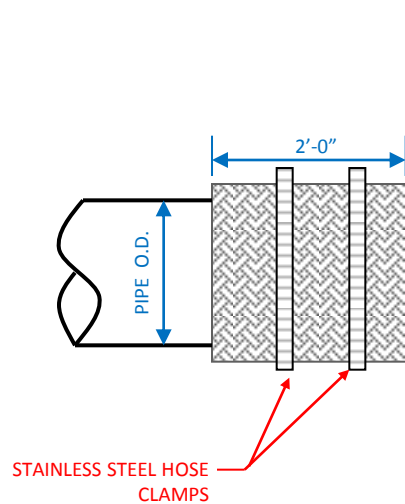


**PIPE BOOT**

**FRONT VIEW**



**SIDE VIEW**



**PIPE CONNECTION TO SIDE OF R-TANK SYSTEM**