

NOTES:

1. MATERIAL:

- A) SUPPORT FLANGE: ALUMINUM ALLOY PLATE, 5000 SERIES
- B) STORMSOK: WOVEN POLYPROPYLENE GEOTEXTILE
- C) EXPANSION RING: ALUMINUM ALLOY CHANNEL, 6000 SERIES
- D) HARDWARE: STAINLESS STEEL

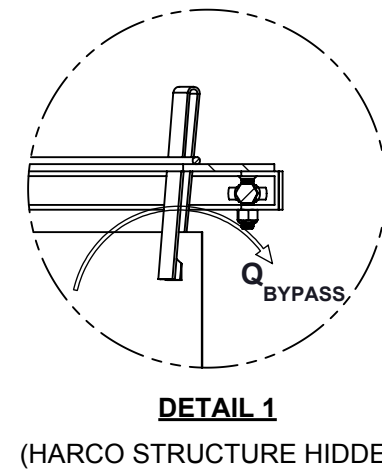
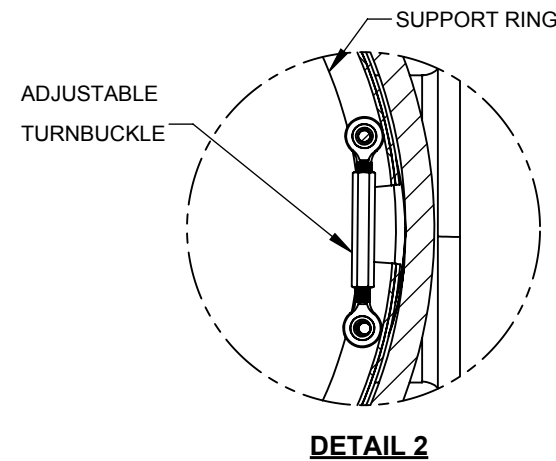
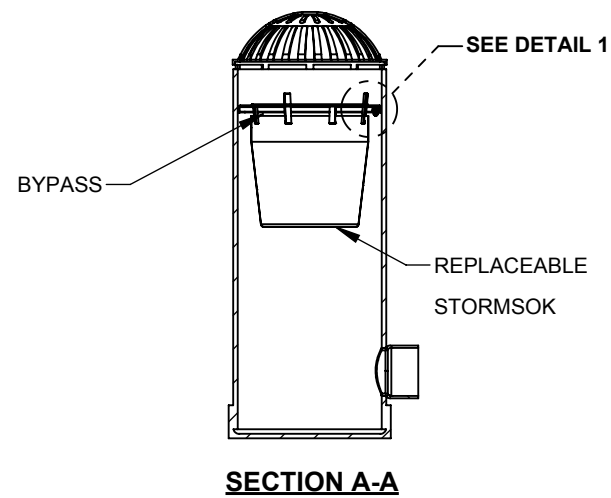
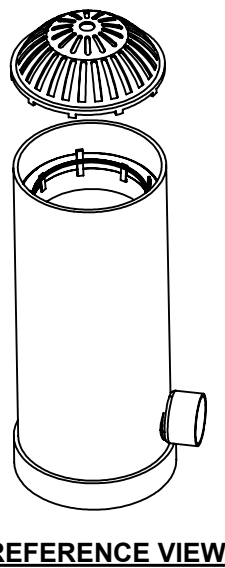
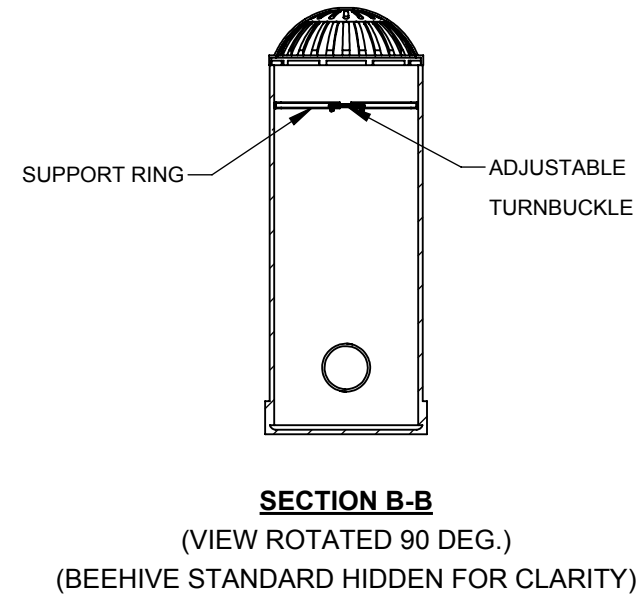
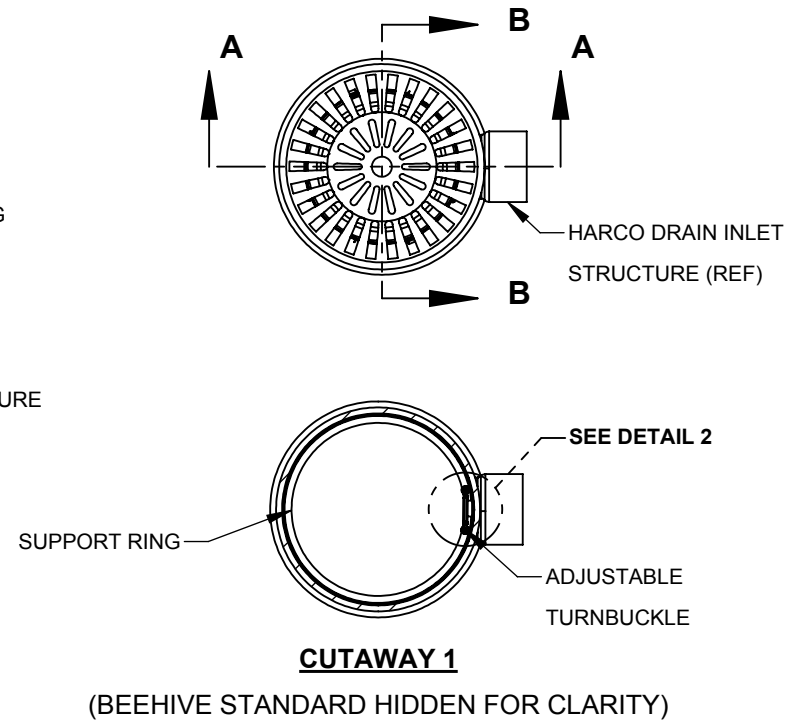
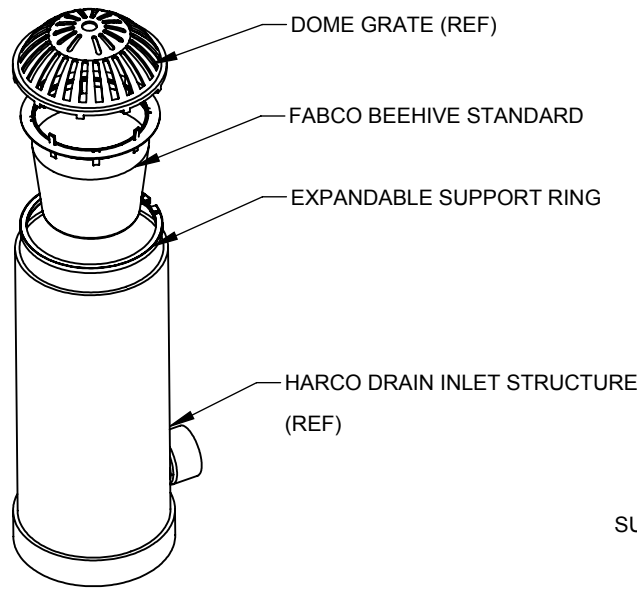
2. RECOMMENDED MINIMUM VAULT DEPTH: 2-IN BELOW STORMSOK

3. USE ONLY WITH FABCO REPLACEABLE STORMSOK

GENERAL INSTALLATION:

ADJUST THE TURNBUCKLE DOWN TO GIVE THE SMALLEST RING DIAMETER AND LOCATE THE EXPANSION RING INTO THE HARCO STRUCTURE MINIMUM OF 6-IN DOWN FROM THE TOP OPENING AS SHOWN. BEGIN OPENING THE TURNBUCKLE UNTIL THE EXPANSION RING IS SELF SUPPORTING, THEN VERIFY THE RING IS LEVEL AND PLUMB TO THE HARCO STRUCTURE. USING A CALIBRATED TORQUE WRENCH, CONTINUE TO OPEN THE TURNBUCKLE TO GIVEN TORQUE (MODEL-SPECIFIC). DO NOT OVER TIGHTEN. INSTALL THE STORMSACK ASSEMBLY DIRECTLY ON THE SUPPORT RING.

STRUCTURE DIAMETER (IN.)	DEBRIS CAPACITY (CU. FT)	FILTERED FLOWRATE (CFS)	BYPASS FLOWRATE (CFS)
12	0.66	1.7	1.0
15	1.0	2.1	1.3
18	1.2	2.3	1.4
24	2.8	3.9	2.2
30	2.8	3.9	2.2



FABCO BEEHIVE STANDARD OVERFLOW FILTER STRUCTURE DETAILS