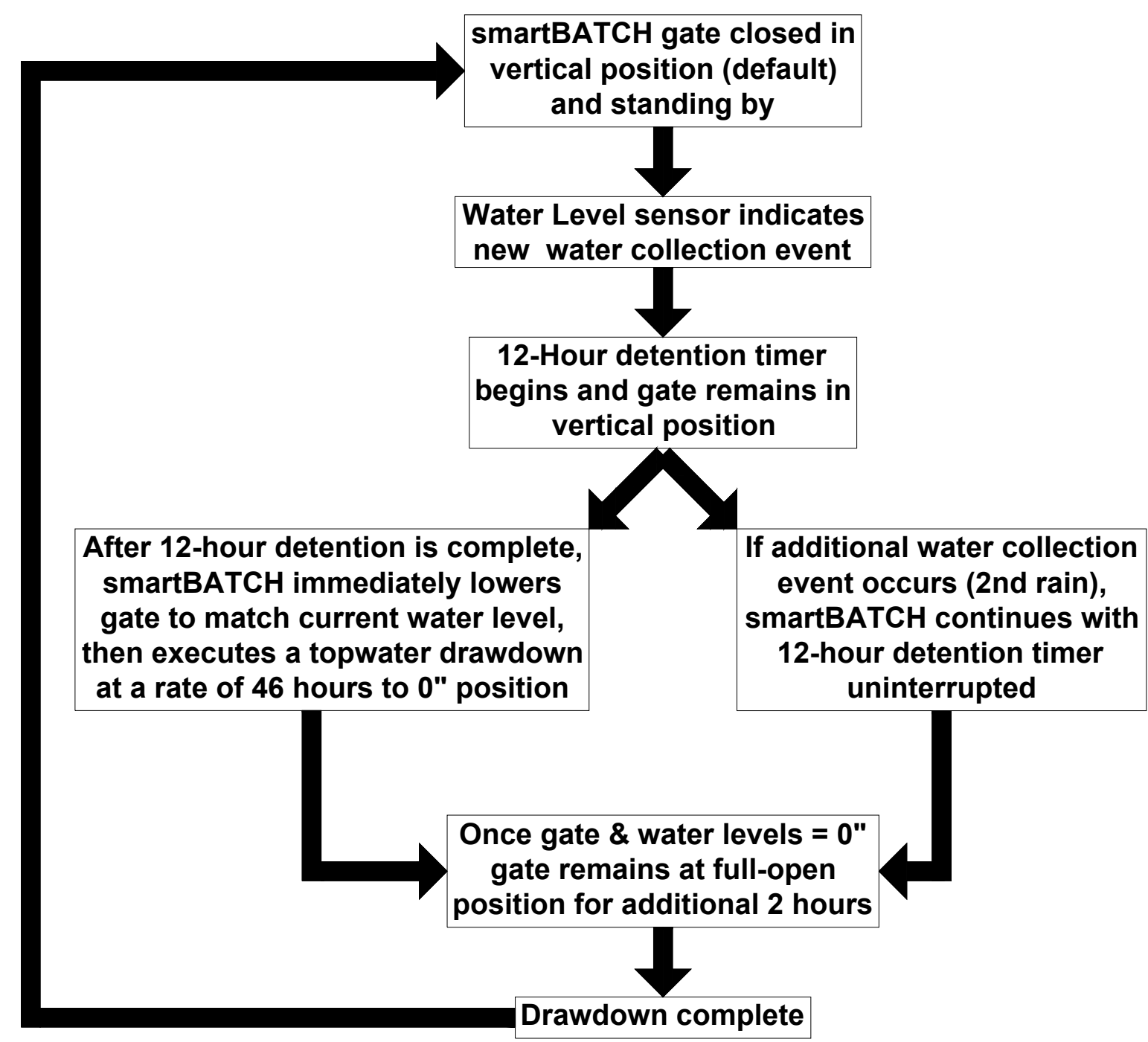
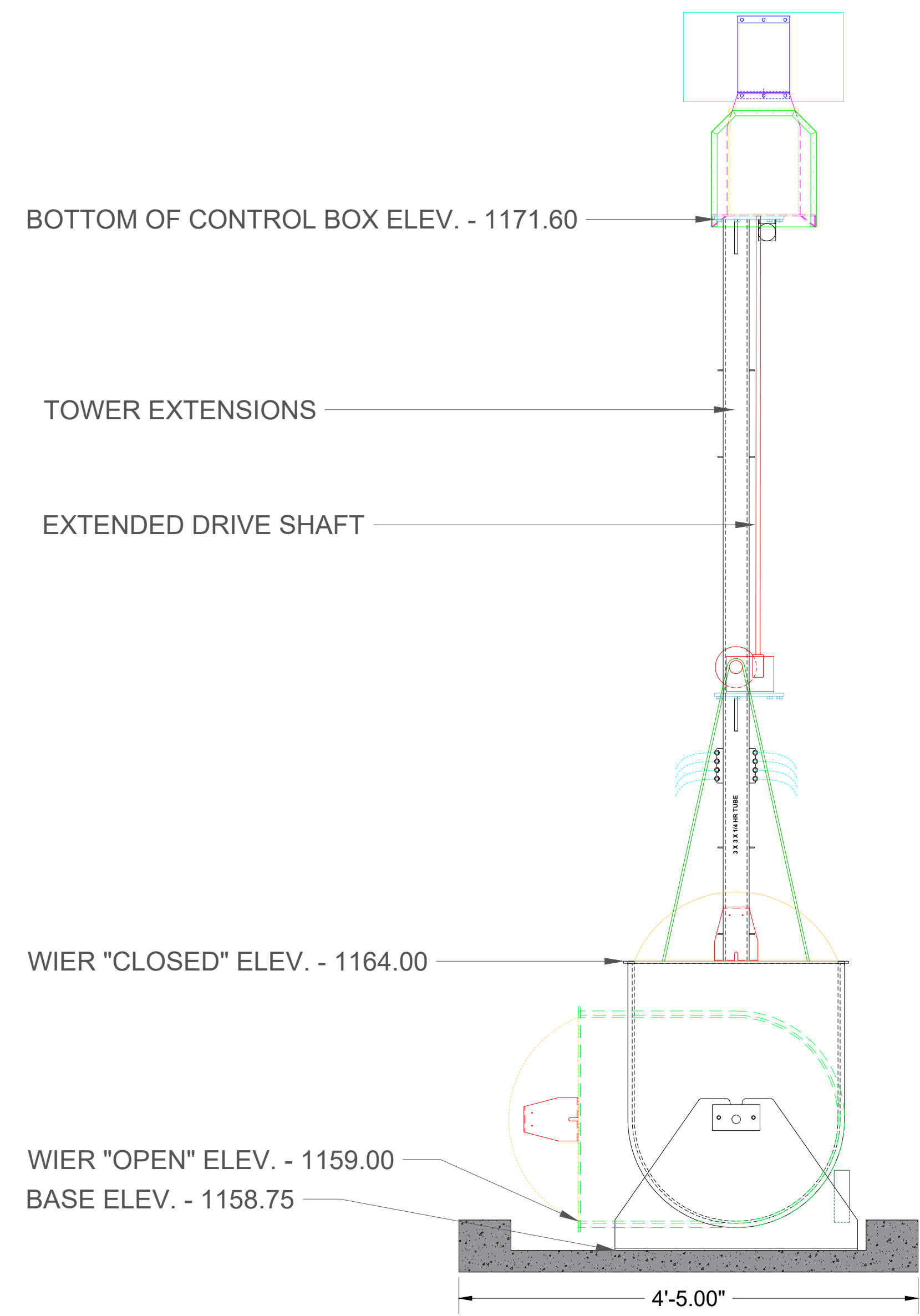


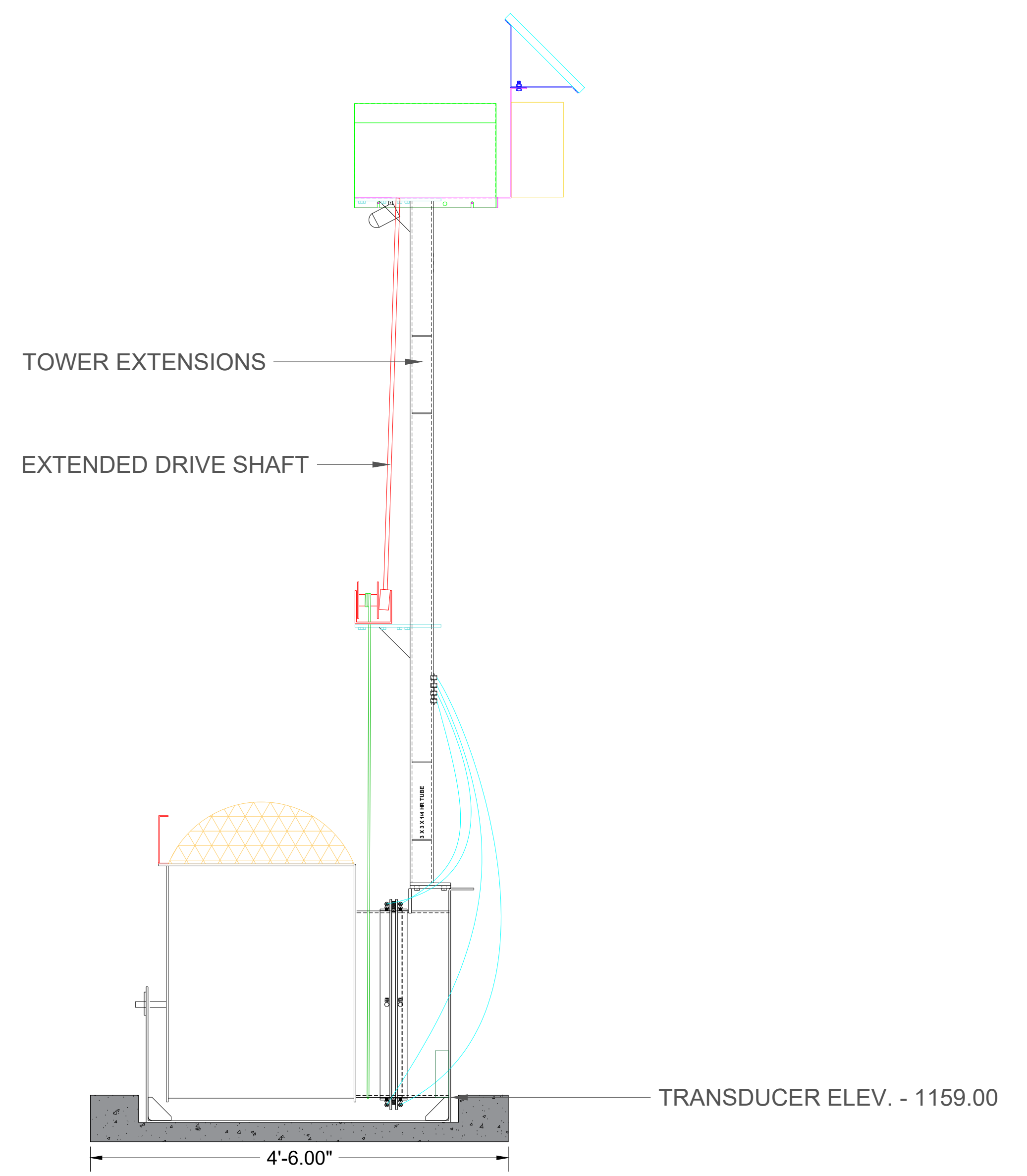
PROGRAMMABLE LOGIC FLOW CHART



FRONT VIEW



SIDE VIEW



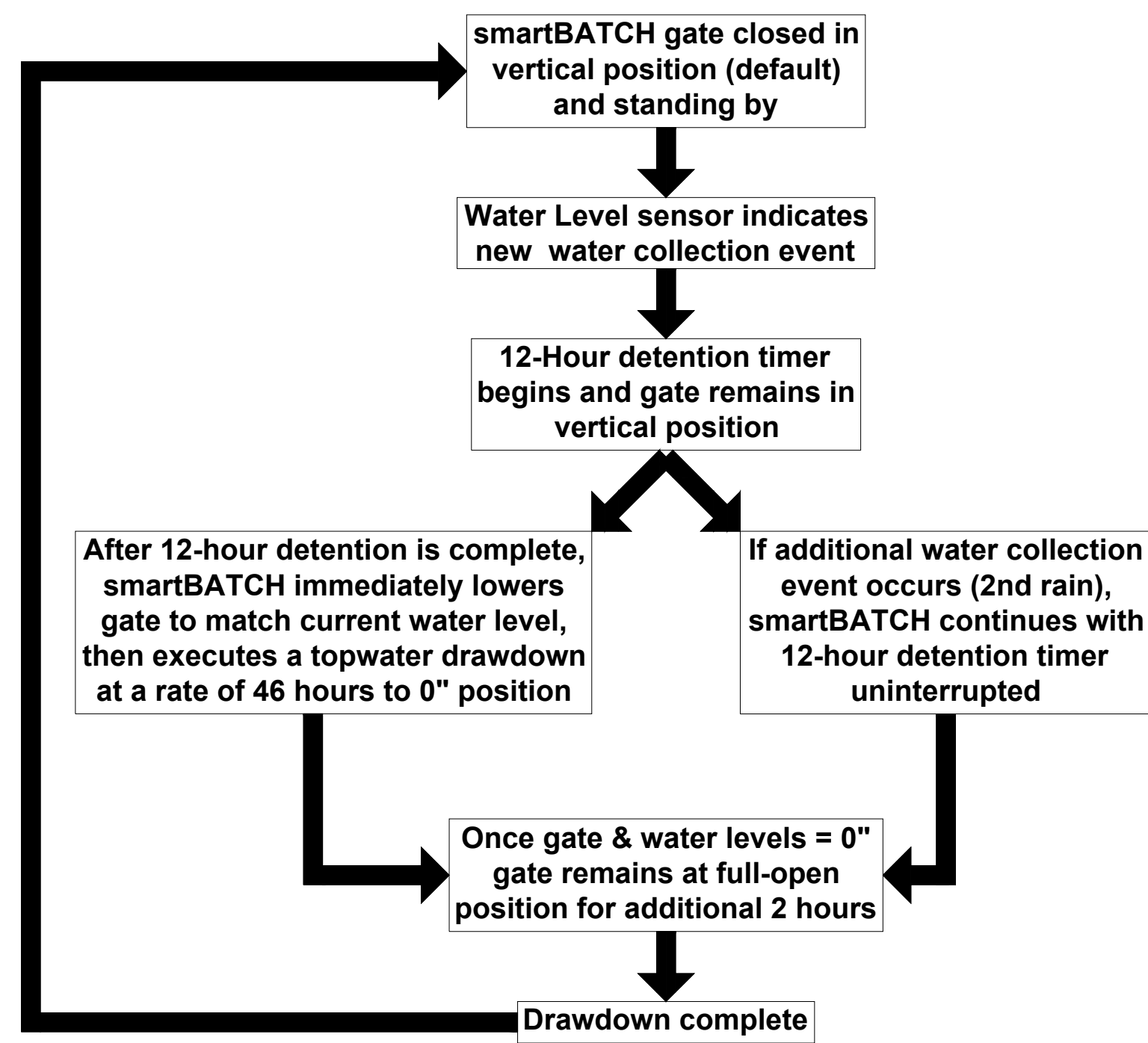
smartPOND
Automated Stormwater Control.

FOR ADDITIONAL INFORMATION PLEASE CONTACT: CONSTRUCTION ECO SERVICES, 832-456-1000, www.ecosvs.com

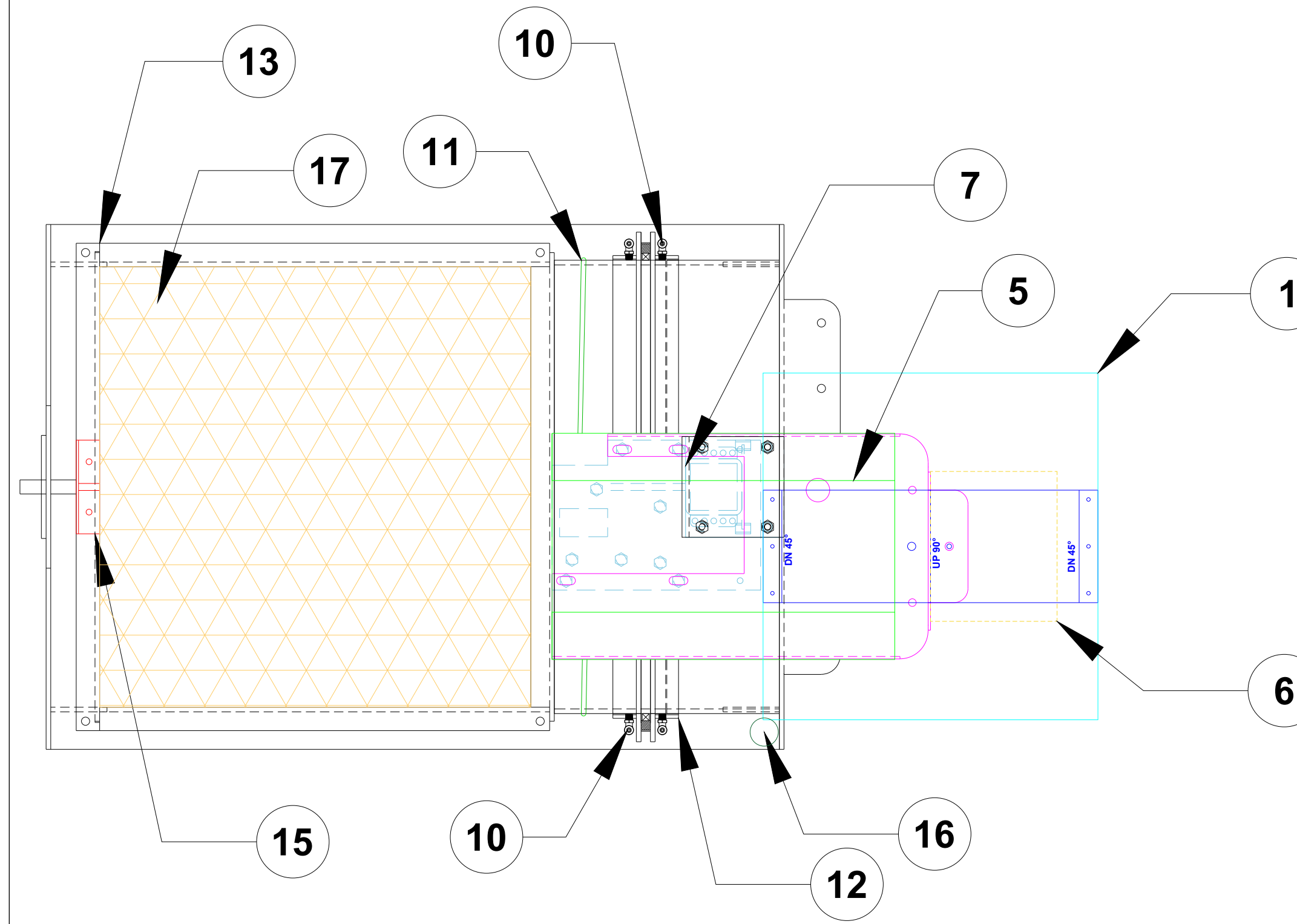
smartPOND Elevations - Outlet Structure #1

| | |
|---------------|--------------------------------|
| PROJECT NAME: | BIG SKY PHASE 2 |
| Address: | Dripping Springs, Texas |
| DATE: | 7/23/2020 |
| SCALE: | N.T.S |
| SHEET NO: | ---- |

PROGRAMMABLE LOGIC FLOW CHART

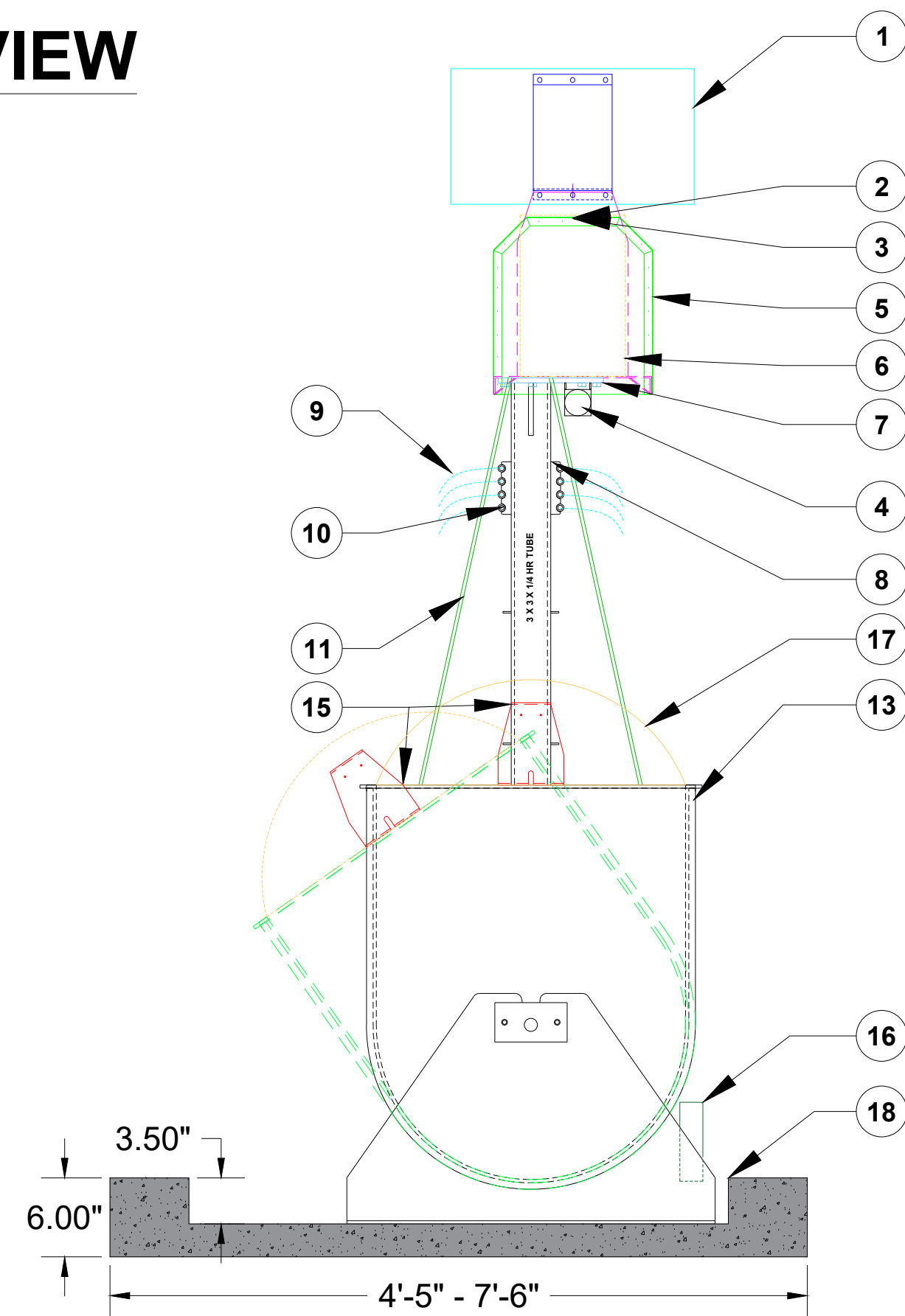


TOP VIEW

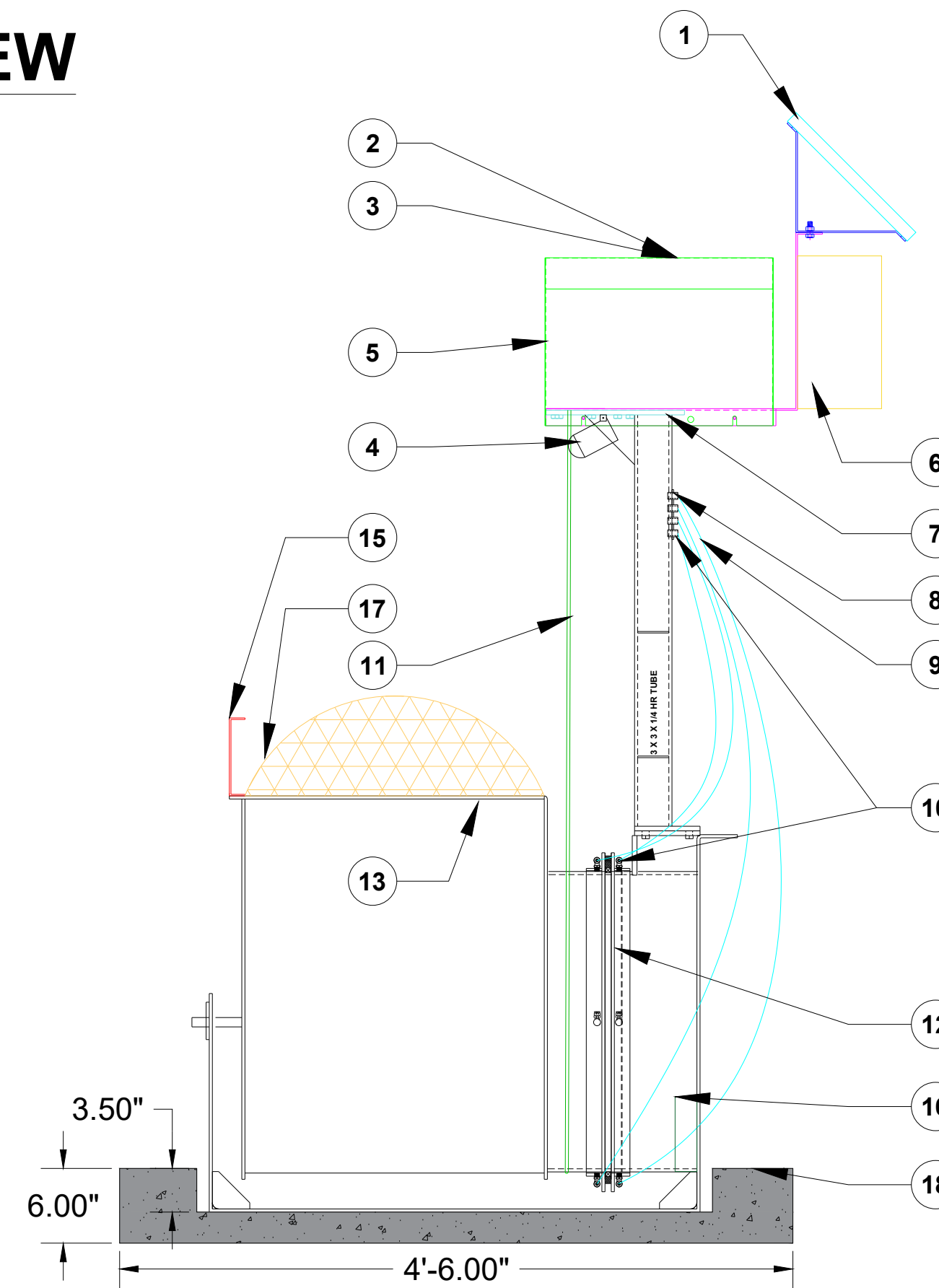


| Parts List | |
|------------|---|
| Item | smartBATCH Components |
| 1 | 12 V SOLAR PANEL WITH 30 WATT CHARGING CAPACITY |
| 2 | ANTENNA (NOT DISPLAYED) |
| 3 | CELL DATA MODEM (NOT DISPLAYED) |
| 4 | CAMERA |
| 5 | WEATHERPROOF ELECTRONIC BOX |
| 6 | CONTROL BOX |
| 7 | PEDESTAL |
| 8 | REMOTE GREASE MANIFOLD |
| 9 | GREASE TUBES |
| 10 | GREASE FITTINGS |
| 11 | 3/16" Galvanized Cables |
| 12 | 24" Rotary Valve |
| 13 | 24" Drum |
| 14 | Outlet Pipe (Size TBD By Engineer, Max 24") |
| 15 | Inclinometer |
| 16 | Level Transducer |
| 17 | Beehive Grate |
| 18 | 6" Concrete Pad (By Others, Size Varies) |

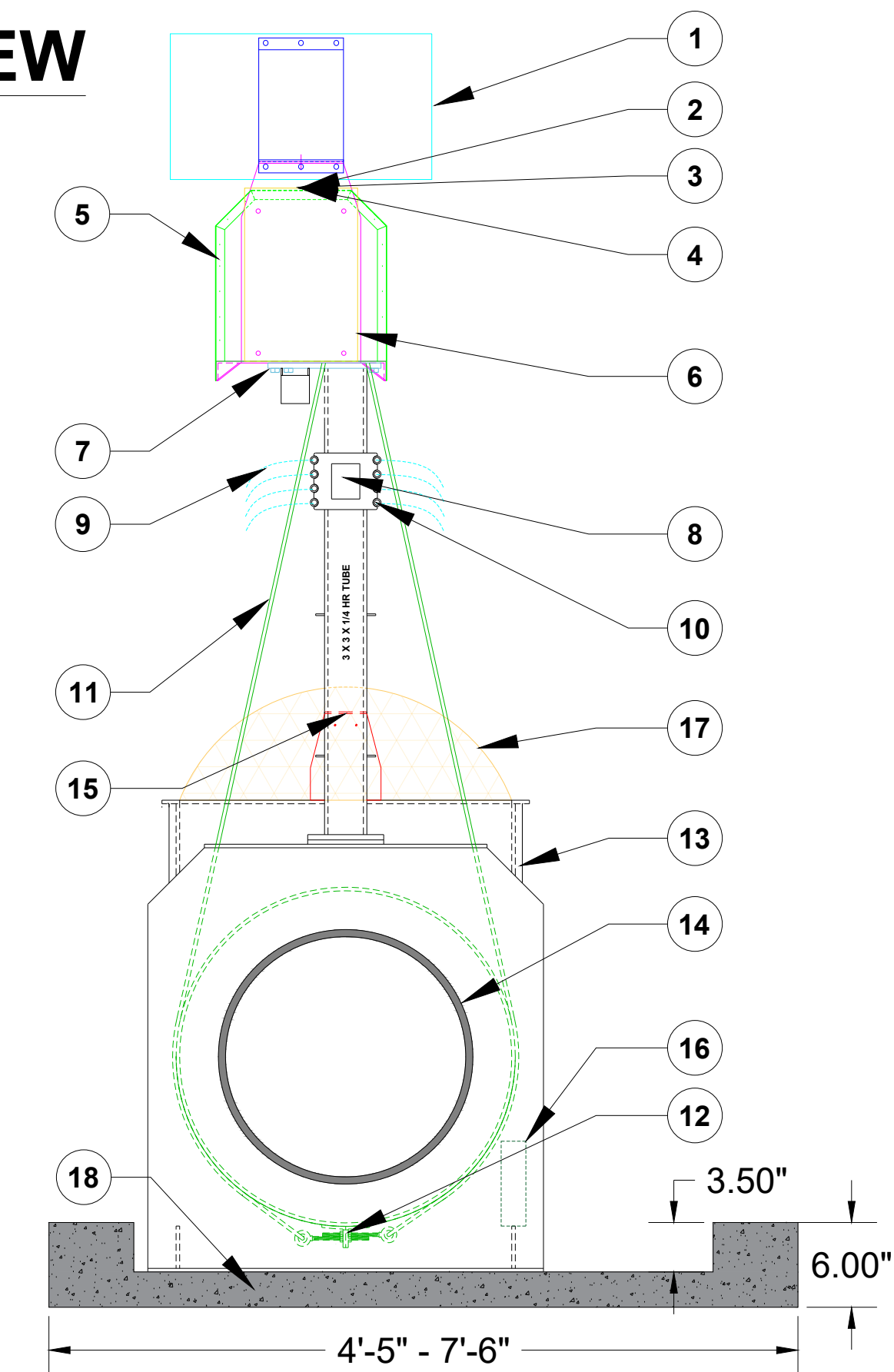
FRONT VIEW



SIDE VIEW



BACK VIEW



smartPOND
Automated Stormwater Control.

FOR ADDITIONAL INFORMATION PLEASE CONTACT: CONSTRUCTION ECO SERVICES, 832-456-1000, www.ecosvs.com

CONVERGENT
WATER TECHNOLOGIES